

# Cassette Type



## Installation & Operation Manual Model

CST 12	CST 12 H
CST 20	CST 20 H
CST 25	CST 25 H
CST 32	CST 32 H
CST 36	CST 36 H
CST 44	CST 44 H
CST 50	CST 50 H



**CST 25-50**



**CST 12-20**

## Contents

Packing List .....	2
Installation Guide.....	2
Operation Of The Unit.....	5
Fault Analysis.....	7
Appendix 1.....	8
Appendix 2.....	9
Remote Control Manual .....	10

## Packing List

‡ ***The unit is separated into 2 part:***

- ☑ The cassette unit
- ☑ The air panel

‡ ***First check contents of package***

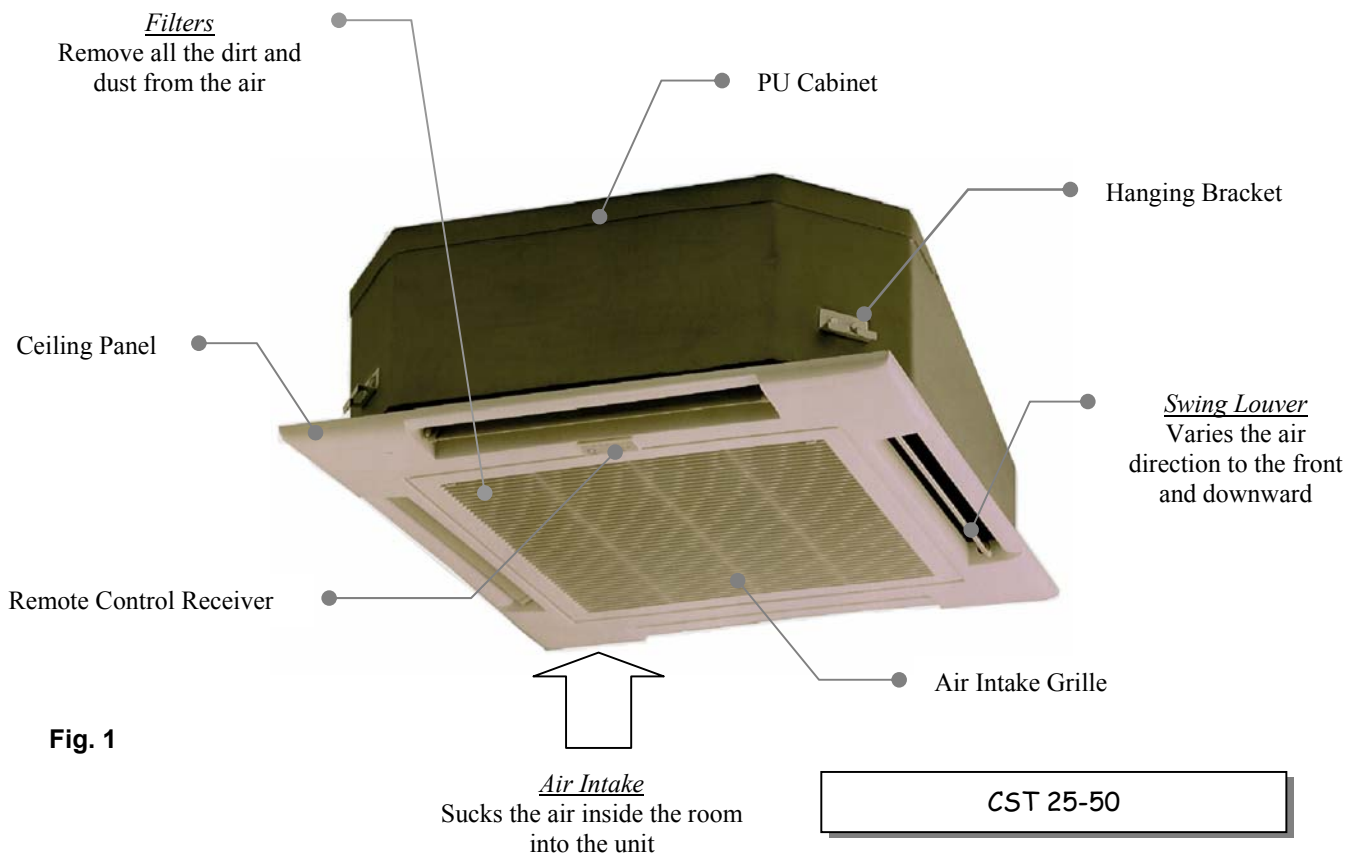
- ☑ The cassette unit is supplied with
- ☑ Remote controller
- ☑ Liquid and suction flared connections
- ☑ Installation and operation manual

The air panel of indoor unit is supplied with

- ☑ Four bolts which are screwed in the cassette unit body for mounting panel to cassette

## 1. Installation Guide

### 2.1 Names and Functions of Parts



**Fig. 1**

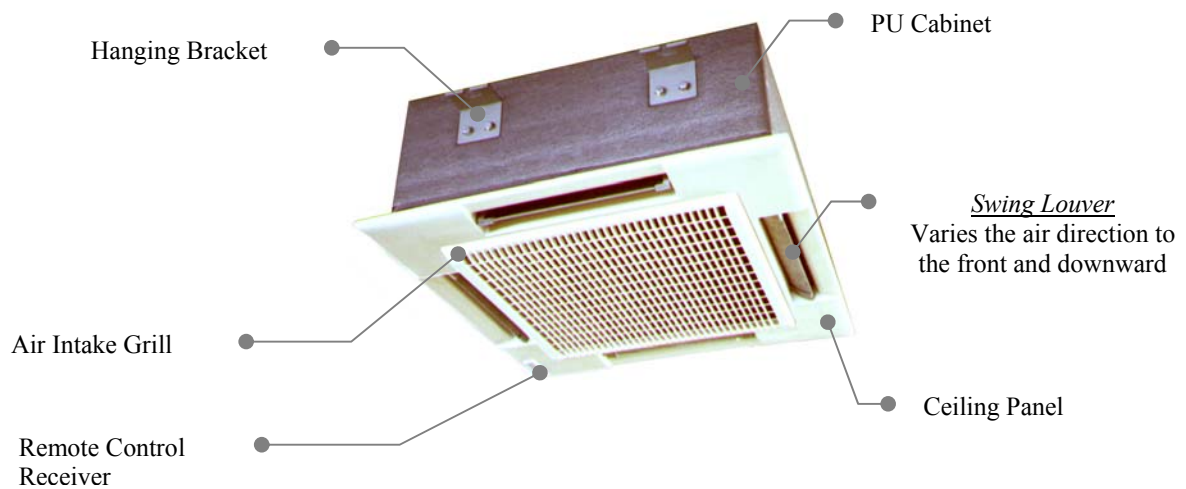
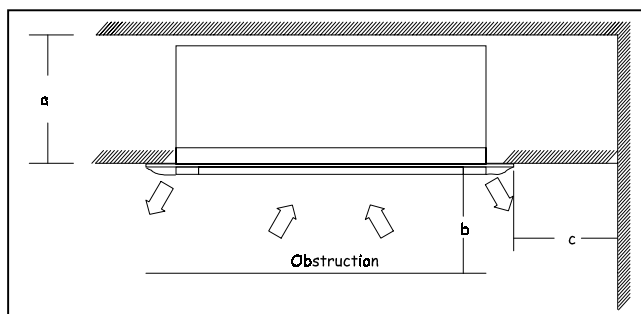


Fig. 2

CST 12-20

## 2.2 Installation Location

- ☑ The installation place is very important especially for the split type air conditioner because it is very difficult to move from place to place after the first installation.
- ☑ Decide the mounting position together with the customer as follows:
- ☑ Install the unit on a place having sufficient strength to with stand the weight of the indoor unit.
- ☑ The air intake and supply should not be obstructed; the air should be able to blow all over the room.
- ☑ Leave enough space required to service the unit (Fig. 2.)
- ☑ Choose a place where the height of ceiling space is more than shown n Fig. 2.
- ☑ Choose a place from where drainage can be extracted outdoor easily.
- ☑ Install the unit and components at least three meters away from the electromagnetic wave source.

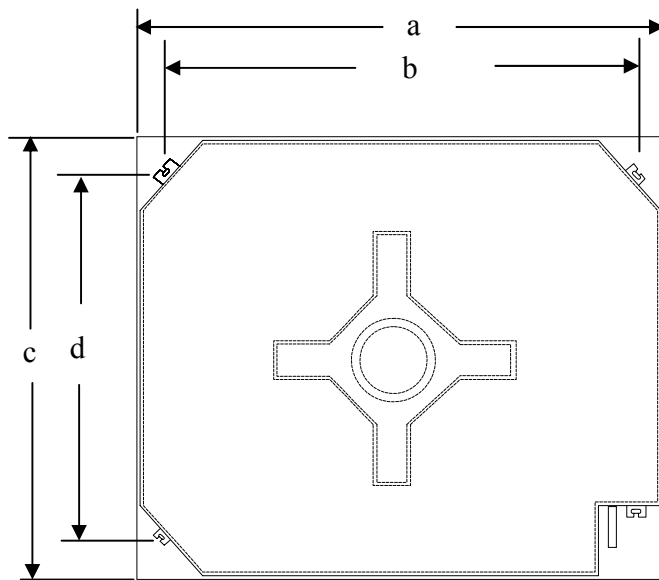


- a) Above ceiling space distance; 300 mm. or more
- b) Vertical distance away from obstruction; 1000 mm. or more
- c) Horizontal distance away from boundaries; 1000 mm. or more

Fig. 3

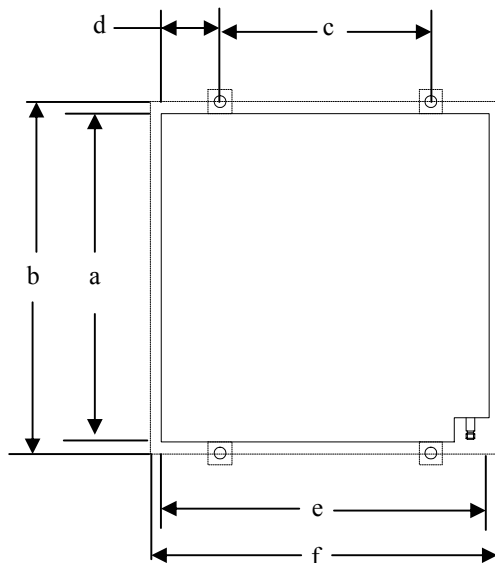
### 2.3 Unit installation method

- ☑ Cut the ceiling and install the suspension bolts as in Fig.3 Below.



Model 25-50	Dimension (mm)
a	910
b	741
c	860
d	805

**Fig. 3/4** Dimensions of ceiling opening and positions of hanged bracket for suspension bolts



Model 12-20	Dimension (mm)
a	575
b	600
c	295
d	140
e	575
f	600

- ☑ Ensure The ceiling is horizontally level, otherwise condensate water cannot drain.
- ☑ The expansion bolts should be fitted into the slab as positions shown in Fig. 2, then drop rod hangers with two sets of nut and washer to lock the unit in position on the lower end of each rod from the fitted bolts. The cassette will then be hooked over the washers.
- ☑ While lifting the cassette up into position, care should be taken not to lift the unit on the drip tray. This could damage to the drip tray.
- ☑ The unit can now be lifted into its place.
- ☑ Adjust space between the unit and ceiling by adjusting nuts .
- ☑ Tighten the nuts on suspended rods.

**Note:**

- a) Mount the air panel after completion of piping and wiring work as follow:
- b) Unpack air panel
- c) Remove return air grille by moving the two locking slides away from the air panel.
- d) Lift the air panel into the proper position, and connect the wiring from electrical box to the swing motor.
- e) Lock the air panel with steel plate by using four supplied bolts.

**2.2 Refrigerant and Drainage Piping**

- Insulate both refrigerant and drainage piping as to completely prevent condensation
  - Heat-resistant insulation for refrigerant piping at least 12 mm thick
  - Wrap length of drainage piping passing through indoor areas with polyethylene foam insulation (specific gravity of 0.03, at least 9 mm. thick)
- Refrigerant and Drainage piping Sizes  
*Please see in the table of appendix.*
- Piping Connection Work  
This unit has flared connections. On piping connection work, use two wrenches to tighten piping connections between indoor and outdoor unit have been completed, make leak check and vacuum the indoor unit and piping through the service port of the slab valve on the outdoor unit while the stop valves on outdoor unit are fully shut (unit is shipped with valve shut). After finishing vacuum process, fully open the stem of outdoor unit stop valves.
- Drainage Piping Work
  - The unit is equipped with a condensate pump with a 1000 mm lift.
  - The unit is provided with 500 mm. length of flexible hose and 18 mm. OD on one connection end.
  - Provide for about 1.5 to 2.0 meter interval of pipe supports.
  - On completion, the drain line should be insulated.

**2.3 Electrical Work****2.3.1 Electrical Data***Please see in table of appendix***2.3.2 Electrical Wiring**

- In case of wire less remote control, it is recommended to use screened cable for all wiring in rich electrical noise-areas.
- In case of wired control, the wall mounted remote controller can be mounted up to 30 M. distance away from the indoor unit when screened cable is used.
- Always install earth.

## 3 Operation Of The Unit

**3.1 Shut Down and Start Up****-Extended shut down**

When the unit is not operated for a long time period, clean the unit cabinet with a damp cloth and dry the unit.

**-Start up after extended shut down**

Before starting operation, the following start up procedure should be performed

- a) Thoroughly inspect and clean the unit
- b) Clean or replace the air filters
- c) Clean the drain pan and drain piping
- d) Remove any accumulated dirt from the unit coil.

- e) Check the fan balance and try operating the fan
- f) Tighten all wiring connections and access panels.
- g) Switch on the main power source at least 12 hours before start up for unit compressor equipped with crankcase heater to activate the heater in advance.

### 3.2 Maintenance

Before carrying out maintenance, be sure to switch off and remove the plug from the AC outlet. If you are only cleaning the air filter, it is not necessary to remove the AC plug.

#### ***Air Filter***

A clogged air filter reduces the airflow and weakens the cooling effect. If the air filter remains clogged, it may cause a defect.

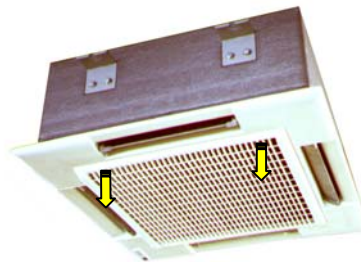
Clean the air filter periodically, at least once a week

#### **H**ow to remove the air filter



Slide Backward

Fig 4.



Pull Down

Fig. 5

- ☑ Move the two locking slides away from the air panel. The hooks are then disengged and the grille opens downward.
- ☑ Pull the air filter once upward and then pull it to the front. The air filter may then be removed.

**H**ow to clean the air filter. Clean the dust from the air filter by washing the filter with water or blow it away with a vacuum cleaner. If the air filter is very dirth, rinse the filter with warm or cool water mixed with synthetic detergent and then wash the detergent solution away with clean water and dry it.

**Caution**

- Do not dry the air filter by exposing it to direct sunlight or fire. This may damage the filter.
- Avoid using hot water (40C or higher) to wash the filter. This may damage the filter.
- How to clean the cabinet
- Wipe the cabinet with a dry soft cloth or clean with a cloth dipped in warm water

**How to clean the cabinet**

- Wipe the cabinet with a dry soft cloth or clean with a cloth dipped in warm water
- Do not use gasoline, thinner, alcohol, benzene, chemicals, polishing powder, etc. to clean the cabinet.

**4 Fault Analysis**

<i>Problem</i>	<i>Action</i>
a) Unit not operating	Check if power is available to the unit Check if remote control is functioning and set properly Ensure there is not any loose wiring connections. Check wiring diagram.
b) Unit fan running too fast with no apparent wind speed change	Check if filter is clean Check Wiring If problem persists then motor may be faulty.
c) Noise from refrigerant system Note: Some noise is normal to be heard when the system starts or stops.	Check pipe work for restrictions Check if refrigerant charge is the correct amount. Was the system properly evacuated? Check low ambient control (If used)
a) Indoor coil freezes up frequently.	Check air filter. Check refrigerant amount in the system and leaks Check for air flow restrictions or recirculation. Should this persist, expansion device may be restricted. Check low ambient control (If used) Is room temperature below 18 C Check indoor temperature sensors
b) Condensate overflowing	Check if drip tray is blocked and check if water is flowing in the drain line. Check if unit is properly leveled Check if condensate pump is working check drainage piping

## Appendix 1

### ***SPECIFICATION FOR CASSETTE***

MODEL	Indoor	CST-10	CST-12	CST-18	CST-20	CST-25	CST-32	CST-36	CST-44	CST-50
	Outdoor	SAC-10	SAC-12	SAC-18	SAC-20	SAC-25	SAC-32	SAC-36	SAC-44	SAC-50
<b><i>Specification</i></b>										
Dry Cycle		✓	✓	✓	✓	✓	✓	✓	✓	✓
Swing Function		✓	✓	✓	✓	✓	✓	✓	✓	✓
Auto Restart		✓	✓	✓	✓	✓	✓	✓	✓	✓
Auto Air Flow		✓	✓	✓	✓	✓	✓	✓	✓	✓
Stop Start Timer		✓	✓	✓	✓	✓	✓	✓	✓	✓
Auto Change Over		✓	✓	✓	✓	✓	✓	✓	✓	✓
Comp Time Delay		✓	✓	✓	✓	✓	✓	✓	✓	✓
Hot Start – Heat Pump		✓	✓	✓	✓	✓	✓	✓	✓	✓
Cold Air Prevention		✓	✓	✓	✓	✓	✓	✓	✓	✓
Capacity (Kw)	Cooling	2700	3516	5230	5861	7327	9370	10557	13247	14800
	Heating	2850	3692	5300	5990	7530	9535	10850	13700	15100
Net Weight (KG)	Indoor	20	22	23	23	28	29	34	35	36
	Outdoor	41	45	56	58	72	77	88	100	105
Air Flow M <sup>3</sup> HR	Hi	600	700	850	900	910	1500	1620	1740	1785
	Mid	550	650	800	850	700	1320	1410	1610	1670
	Low	500	600	750	800	560	1200	1275	1400	1445
Power Supply	V-PH-Hz	220/1/50	220/1/50	220/1/50	220/1/50	220/1/50	220/1/50	415/3/50	415/3/50	415/3/50
Full Load Amps	A	5	6.5	9.8	10.1	11.1	14.2	10.2	11	12.5
Start Amps	A	25	33	40	54	60	64	66	65	74
Power Input	WATT	970	1250	2100	2160	2490	3250	4500	5050	5450
Noise Level	dB(A)	30/34/40	30/34/40	38/40/42	38/40/42	37/39/48	44/46/50	47/50/53	48/51/54	50/53/55
Max Pipe Length (M)		20	25	35	35	55	55	55	60	60
Max Pipe Lift (M)		10	10	10	10	15	15	15	15	20
Pipe Size	Liquid	3/8	3/8	3/8	3/8	3/8	3/8	3/8	1/2	1/2
	Suction	1/2	1/2	5/8	5/8	5/8	5/8	5/8	3/4	3/4
Gas Charge (KG)		0.9	1.3	1.4	1.9	2.5	2.8	3.0	3.2	3.5
Additional / Meter		60	60	60	60	60	60	60	120	120
Indoor Dimension	H	220	220	260	260	290	290	290	290	290
	W	575	575	575	575	865	865	865	865	865
Casing	L	575	575	575	575	915	915	915	915	915
	H	20	20	20	20	35	35	35	35	35
Dimension Ceiling Panel	W	640	640	640	640	900	900	900	900	900
	L	640	640	640	640	950	950	950	950	950
Outdoor Unit Dimension	H	590	590	590	590	730	730	730	1225	1225
	W	245	245	300	300	366	366	366	366	366
	L	860	860	860	860	950	950	950	950	950

Specification May Change Without Notice

## Appendix 2

- ✍ Drain Pipe 18 mm
- ✍ Air filter Type : Nylon
- ✍ Branch Duct Hole (Knock Out)
  - 2 x CST 10-20 : 10
  - 2 x CST 25-50 : 200 x 150
- ✍ Fresh Air Intake (Knock Out)
  - 1 x CST 10-20 : 70 x 100 mm
  - 1 x CST 25-50 : 100 mm
- ✍ Hanged Brackets x 4 : Rot Size 10 mm



## Part List

**Model : CST-12**
**Issue Date : 11/29/99**

Item	Part Name	Part Number	Qty	Unit
1	PU Cabinet	CST-099-12-001	1	Pcs
2	Condensate Drain Pan	CST-099-1220-001	1	Pcs
3	Ceiling Panel	CST-099-1220-002	1	Pcs
4	Return Air Grill	CST-099-1220-003	1	Pcs
5	Motor Support	CST-099-12-002	1	Pcs
6	Motor	CST-099-12-003	1	Pcs
7	Blower	CST-099-12-004	1	Pcs
8	Evaporator Coil	CST-099-12-005	1	Pcs
9	Coil Plate	CST-099-12-006	1	Pcs
10	Coil Bracket	CST-099-12-007	2	Pcs
11	Ventury	CST-099-12-008	1	Pcs
12	Return Air Filter	CST-099-1220-004	1	Pcs
13	Fresh Air Duct Plate	CST-099-12-009	1	Pcs
14	Hanging Bracket	CST-099-C-001	4	Pcs
15	Motor Run capacitor	CST-099-12-010	1	Pcs
16	Liquid Line	CST-099-12-011	1	Pcs
17	Suction Line	CST-099-12-012	1	Pcs
18	Suction Fare Nut	CST-099-12-013	1	Pcs
19	Liquid Fare Nut	CST-099-12-014	1	Pcs
20	Blower Locker	CST-099-12-015	1	Pcs
21	Remote Control	CST-099-1220-005	1	Pcs
22	Terminal Block 4P 4mm	CST-099-C-002	1	Pcs
23	Pump Bracket	CST-099-C-003	1	Pcs
24	Drain Hose Dia. 1" 500 mm	CST-099-C-004	1	Pcs
25	Water Pump WP 20 SL	CST-099-C-005	1	Pcs
26	Floating Switch Bracket	CST-099-C-006	1	Pcs
27	Floating Switch	CST-099-C-007	1	Pcs
28	Emergency Drain Plug	CST-099-1220-006	1	Pcs
29	Ceiling Panel Hanging Bracket Left	CST-099-1220-007	1	Pcs
30	Ceiling Panel Hanging Bracket Right	CST-099-1220-008	1	Pcs
31	Swing Motor	CST-099-C-008	1	Pcs
32	Swing Motor Bracket	CST-099-1220-009	1	Pcs
33	Cam Wheel	CST-099-C-009	1	Pcs
34	Drive Cable Locker	CST-099-1220-010	3	Pcs
35	Drive Cable Hose	CST-099-1220-011	6	Pcs
36	Cable Drive	CST-099-1220-012	5	Pcs
37	Support Swing Blade Holder	CST-099-C-010	8	Pcs
38	Swing Blade Holder	CST-099-C-011	8	Pcs
39	Swing Blade	CST-099-1220-013	4	Pcs
40	Filter Slide Left/Right	CST-099-1220-014	1	Pcs
41	Filter Stopper	CST-099-1220-015	1	Pcs
42	Receiver Cover	CST-099-1220-016	1	Pcs
43	Remote Control Receiver	CST-099-1220-017	1	Pcs
44	Remote Control Handset	CST-099-C-012	1	Pcs
45	Bracket For Remote Control Handset	CST-099-C-013	1	Pcs
46	Suction Insulation Tube	CST-099-1220-018	1	Pcs
47	Liquid Insulation Tube	CST-099-1220-019	1	Pcs
48	Swing Part	CST-099-C-015	1	Pcs
49	Swing Part Support	CST-099-C-016	1	Pcs
50	Ceiling Panel Hanging Bracket Left 2	CST-099-1220-020	1	Pcs
51	Ceiling Panel Hanging Bracket Right 2	CST-099-1220-021	1	Pcs

Approve By:

Date :

Check By:

Date :

Revision No:

Date:

## Part List

**Model : CST-20**
**Issue Date :**
**11/29/99**

Item	Part Name	Part Number	Qty	Unit
1	PU Cabinet	CST-099-20-001	1	Pcs
2	Condensate Drain Pan	CST-099-1220-001	1	Pcs
3	Ceiling Panel	CST-099-1220-002	1	Pcs
4	Return Air Grill	CST-099-1220-003	1	Pcs
5	Motor Support	CST-099-20-002	1	Pcs
6	Motor	CST-099-20-003	1	Pcs
7	Blower	CST-099-20-004	1	Pcs
8	Evaporator Coil	CST-099-20-005	1	Pcs
9	Coil Plate	CST-099-20-006	1	Pcs
10	Coil Bracket	CST-099-20-007	2	Pcs
11	Ventury	CST-099-20-008	1	Pcs
12	Return Air Filter	CST-099-1220-004	1	Pcs
13	Fresh Air Duct Plate	CST-099-20-009	1	Pcs
14	Hanging Bracket	CST-099-C-001	4	Pcs
15	Motor Run capacitor	CST-099-20-010	1	Pcs
16	Liquid Line	CST-099-20-011	1	Pcs
17	Suction Line	CST-099-20-012	1	Pcs
18	Suction Fare Nut	CST-099-20-013	1	Pcs
19	Liquid Fare Nut	CST-099-20-014	1	Pcs
20	Blower Locker	CST-099-20-015	1	Pcs
21	Remote Control	CST-099-1220-005	1	Pcs
22	Terminal Block 4P 4mm	CST-099-C-002	1	Pcs
23	Pump Bracket	CST-099-C-003	1	Pcs
24	Drain Hose Dia. 1" 500 mm	CST-099-C-004	1	Pcs
25	Water pump WP20 SL	CST-099-C-005	1	Pcs
26	Floating Switch Bracket	CST-099-C-006	1	Pcs
27	Floating Switch	CST-099-C-007	1	Pcs
28	Emergency Drain Plug	CST-099-1220-006	1	Pcs
29	Ceiling Panel Hanging Bracket Left	CST-099-1220-007	1	Pcs
30	Ceiling Panel Hanging Bracket Right	CST-099-1220-008	1	Pcs
31	Swing Motor	CST-099-C-008	1	Pcs
32	Swing Motor Bracket	CST-099-1220-009	1	Pcs
33	Cam Wheel	CST-099-C-009	1	Pcs
34	Drive Cable Locker	CST-099-1220-010	3	Pcs
35	Drive Cable Hose	CST-099-1220-011	6	Pcs
36	Cable Drive	CST-099-1220-012	5	Pcs
37	Support Swing Blade Holder	CST-099-C-010	8	Pcs
38	Swing Blade Holder	CST-099-C-011	8	Pcs
39	Swing Blade	CST-099-1220-013	4	Pcs
40	Filter Slide Left/Right	CST-099-1220-014	1	Pcs
41	Filter Stopper	CST-099-1220-015	1	Pcs
42	Receiver Cover	CST-099-1220-016	1	Pcs
43	Remote Control Receiver	CST-099-1220-017	1	Pcs
44	Remote Control Handset	CST-099-C-012	1	Pcs
45	Bracket For Remote Control Handset	CST-099-C-013	1	Pcs
46	Suction Insulation Tube	CST-099-1220-018	1	Pcs
47	Liquid Insulation Tube	CST-099-1220-019	1	Pcs
48	Swing Part	CST-099-C-015	1	Pcs
49	Swing Part Support	CST-099-C-016	1	Pcs
50	Ceiling Panel Hanging Bracket Left 2	CST-099-1220-020	1	Pcs
51	Ceiling Panel Hanging Bracket Right 2	CST-099-1220-021	1	Pcs

Approve By:

Date :

Check By:

Date :

Revision No

Date:



## Part List

Model : CST-25		Issue Date : 11/29/99		
Item	Part Name	Part Number	Qty	Unit
1	Return Grill	CST-099-25-50-001	1	Pcs
2	Return Air Filter	CST-099-25-50-002	1	Pcs
3	Swing Blade	CST-099-25-50-003	4	Pcs
4	Support Swing Blade	CST-099-25-50-004	8	Pcs
5	Holder for Support Swing Blade	CST-099-25-50-005	8	Pcs
6	Ceiling Panel	CST-099-25-50-006	1	Pcs
7	Plastic Ventury	CST-099-2532-001	1	Pcs
8	Remote Control Cooling Only	CST-099-25-50-007	1	Pcs
9	Support Remote Control Box	CST-099-25-50-008	1	Pcs
10	Support Ceiling Panel	CST-099-25-50-009	1	Pcs
11	Cover Fresh Air Duct	CST-099-25-50-010	1	Pcs
12	Condensate Drain Pan	CST-099-25-50-011	1	Pcs
13	Emergency Drain Water Plug	CST-099-25-50-012	1	Pcs
14	Terminal Block 4P 4mm	CST-099-C-002	1	Pcs
15	Terminal Block Support	CST-099-25-50-013	1	Pcs
16	Coil Bracket-1	CST-099-2532-002	1	Pcs
17	Evaporator Coil 1700 2R 3/8"	CST-099-25-001	1	Pcs
18	Liquid Line 3/8"	CST-099-25-38-001	1	Pcs
19	Header 5/8"	CST-099-25-38-002	1	Pcs
20	Fare Nut for Suction Line 5/8"	CST-099-25-38-003	1	Pcs
21	Fare Nut for Liquid Line 3/8"	CST-099-25-38-004	1	Pcs
22	-----		1	Pcs
23	Blower 402 mm Dia.	CST-099-2532-003	1	Pcs
24	Coil Bracket-2	CST-099-2538-003	1	Pcs
25	Floating Switch	CST-099-C-007	1	Pcs
26	Floating Switch Bracket	CST-099-C-006	1	Pcs
27	Pump Bracket	CST-099-C-003	1	Pcs
28	Water Pump WP20 SL	CST-099-C-005	1	Pcs
29	Motor Run Capacitor 2UF 400V	CST-099-2532-004	1	Pcs
30	Pump Plate	CST-099-25-50-015	1	Pcs
31	Plastic Bushing	CST-099-25-50-016	1	Pcs
32	Motor 1/25 HP	CST-099-2532-005	1	Pcs
33	Fresh air duct plate	CST-099-25-50-017	1	Pcs
34	Hanging Bracket	CST-099-C-001	4	Pcs
35	PU Cabinet	CST-099-25-50-018	1	Pcs
36	Remote Control Receiver Panel	CST-099-25-50-019	1	Pcs
37	Liquid Line Insulation 3/8"	CST-099-25-38-005	1	Pcs
38	Suction Line Insulation 5/8"	CST-099-25-38-006	1	Pcs
39	Plate Coil 25	CST-099-25-002	1	Pcs
40	Remote Control Hand Set	CST-099-C-012	1	Pcs
41	Bracket For Remote Control Hand Set	CST-099-C-013	1	Pcs
42	Drain Hose Dia. 1" 500 mm	CST-099-C-004	1	Pcs
43	Ceiling Panel Bracket Left	CST-099-25-50-020	1	Pcs
44	Ceiling Panel Bracket Right	CST-099-25-50-021	1	Pcs
45	Ceiling Panel Left/Right	CST-099-25-50-022	2	Pcs
46	Motor Swing Bracket	CST-099-25-50-023	1	Pcs
47	Swing Motor	CST-099-C-008	1	Pcs
48	Cam Wheel	CST-099-C-009	1	Pcs
49	Cable Drive	CST-099-25-50-024	5	Pcs
50	Cable Drive Locker	CST-099-C-014	3	Pcs
51	Cable Drive Hose	CST-099-25-50-025	5	Pcs
52	Swing Part	CST-099-C-015	1	Pcs
53	Swing Part Support	CST-099-C-016	1	Pcs
54	Filter Slide Bracket Left	CST-099-25-50-026	1	Pcs
55	Return Grill Locker	CST-099-25-50-027	2	Set
56	Filter Slide Stopper	CST-099-25-50-028	1	Pcs
57	Filter Slide Bracket Right	CST-099-25-50-029	1	Pcs
58	Support Retyrn Grill Locker	CST-099-25-50-030	1	Pcs

Approve By:

Date :

Check By:

Date :

Revision No:

Date:

## Part List

---

**Model : CST-32** **Issue Date : 11/29/99**

---

Item	Part Name	Part Number	Qty	Unit
1	Return Grill	CST-099-25-50-001	1	Pcs
2	Return Air Filter	CST-099-25-50-002	1	Pcs
3	Swing Blade	CST-099-25-50-003	4	Pcs
4	Support Swing Blade	CST-099-25-50-004	8	Pcs
5	Holder for Support Swing Blade	CST-099-25-50-005	8	Pcs
6	Ceiling Panel	CST-099-25-50-006	1	Pcs
7	Plastic Ventry	CST-099-2532-001	1	Pcs
8	Remote Control Cooling Only	CST-099-25-50-007	1	Pcs
9	Support Remote Control Box	CST-099-25-50-008	1	Pcs
10	Support Ceiling Panel	CST-099-25-50-009	1	Pcs
11	Cover Fresh Air Duct	CST-099-25-50-010	1	Pcs
12	Condensate Drain Pan	CST-099-25-50-011	1	Pcs
13	Emergency Drain Water Plug	CST-099-25-50-012	1	Pcs
14	Terminal Block 4P 4mm	CST-099-C-002	1	Pcs
15	Terminal Block Support	CST-099-25-50-013	1	Pcs
16	Coil Bracket-1	CST-099-2532-002	2	Pcs
17	Evaporator Coil 1900 2R 3/8"	CST-099-32-001	1	Pcs
18	Liquid Line 3/8"	CST-099-253238-001	1	Pcs
19	Header 5/8"	CST-099-253238-002	1	Pcs
20	Fare Nut for Suction Line 5/8"	CST-099-253238-003	1	Pcs
21	Fare Nut for Liquid Line 3/8"	CST-099-253238-004	1	Pcs
22	-----		1	Pcs
23	Blower 402 mm Dia.	CST-099-2532-003	1	Pcs
24	-----		1	Pcs
25	Floating Switch	CST-099-C-007	1	Pcs
26	Floating Switch Bracket	CST-099-C-006	1	Pcs
27	Pump Bracket	CST-099-C-003	1	Pcs
28	Water Pump WP20 SL	CST-099-C-005	1	Pcs
29	Motor Run Capacitor 2UF 400V	CST-099-2532-004	1	Pcs
30	Pump Plate	CST-099-25-50-015	1	Pcs
31	Plastic Bushing	CST-099-25-50-016	1	Pcs
32	Motor 1/25 HP	CST-099-2532-005	1	Pcs
33	Fresh air duct plate	CST-099-25-50-017	1	Pcs
34	Hanging Bracket	CST-099-C-001	4	Pcs
35	PU Cabinet	CST-099-25-50-018	1	Pcs
36	Remote Control Receiver Panel	CST-099-25-50-019	1	Pcs
37	Liquid Line Insullation 3/8"	CST-099-253238-005	1	Pcs
38	Suction Line Insullation 5/8"	CST-099-253238-006	1	Pcs
39	Plate Coil 32	CST-099-32-002	1	Pcs
40	Remote Control Hand Set	CST-099-C-012	1	Pcs
41	Bracket For Remote Control Hand Set	CST-099-C-013	1	Pcs
42	Drain Hose Dia. 1" 500 mm	CST-099-C-004	1	Pcs
43	Ceiling Panel Bracket Left	CST-099-25-50-020	1	Pcs
44	Ceiling Panel Bracket Right	CST-099-25-50-021	1	Pcs
45	Ceiling Panel Left/Right	CST-099-25-50-022	2	Pcs
46	Motor Swing Bracket	CST-099-25-50-023	1	Pcs
47	Swing Motor	CST-099-C-008	1	Pcs
48	Cam Wheel	CST-099-C-009	1	Pcs
49	Cable Drive	CST-099-25-50-024	5	Pcs
50	Cable Drive Locker	CST-099-C-014	3	Pcs
51	Cable Drive Hose	CST-099-25-50-025	5	Pcs
52	Swing Part	CST-099-C-015	1	Pcs
53	Swing Part Support	CST-099-C-016	1	Pcs
54	Filter Slide Bracket Left	CST-099-25-50-026	1	Pcs
55	Return Grill Locker	CST-099-25-50-027	2	Set
56	Filter Slide Stopper	CST-099-25-50-028	1	Pcs
57	Filter Slide Bracket Right	CST-099-25-50-029	1	Pcs
58	Support Return Grill Locker	CST-099-25-50-030	1	Pcs

Approve By:

Date :

Check By:

Date :

Revision No:

Date :

## Part List

**Model : CST-38**
**Issue Date : 11/29/99**

Item	Part Name	Part Number	Qty	Unit
1	Return Grill	CST-099-25-50-001	1	Pcs
2	Return Air Filter	CST-099-25-50-002	1	Pcs
3	Swing Blade	CST-099-25-50-003	4	Pcs
4	Support Swing Blade	CST-099-25-50-004	8	Pcs
5	Holder for Support Swing Blade	CST-099-25-50-005	8	Pcs
6	Ceiling Panel	CST-099-25-50-006	1	Pcs
7	Plastic Ventry	CST-099-3850-001	1	Pcs
8	Remote Control Cooling Only	CST-099-25-50-007	1	Pcs
9	Support Remote Control Box	CST-099-25-50-008	1	Pcs
10	Support Ceiling Panel	CST-099-25-50-009	1	Pcs
11	Cover Fresh Air Duct	CST-099-25-50-010	1	Pcs
12	Condensate Drain Pan	CST-099-25-50-011	1	Pcs
13	Emergency Drain Water Plug	CST-099-C-012	1	Pcs
14	Terminal Block 4P 4mm	CST-099-C-002	1	Pcs
15	Terminal Block Support	CST-099-25-50-013	1	Pcs
16	Coil Bracket-1	CST-099-38-001	1	Pcs
17	Evaporator Coil 1700 3R 3/8"	CST-099-38-001	1	Pcs
18	Liquid Line 3/8"	CST-099-25-38-001	1	Pcs
19	Header 5/8"	CST-099-25-38-002	1	Pcs
20	Fare Nut for Suction Line 5/8"	CST-099-25-38-003	1	Pcs
21	Fare Nut for Liquid Line 3/8"	CST-099-25-38-004	1	Pcs
22	-----		1	Pcs
23	Blower 450 mm Dia.	CST-099-3850-002	1	Pcs
24	Coil Bracket-2	CST-099-2538-001	1	Pcs
25	Floating Switch	CST-099-C-007	1	Pcs
26	Floating Switch Bracket	CST-099-C-006	1	Pcs
27	Pump Bracket	CST-099-C-003	1	Pcs
28	Water Pump WP20 SL	CST-099-C-005	1	Pcs
29	Motor Run Capacitor 5UF 400V	CST-099-3850-003	1	Pcs
30	Pump Plate	CST-099-25-50-015	1	Pcs
31	Plastic Bushing	CST-099-25-50-016	1	Pcs
32	Motor 1/9 HP	CST-099-38-002	1	Pcs
33	Fresh air duct plate	CST-099-25-50-017	1	Pcs
34	Hanging Bracket	CST-099-C-001	4	Pcs
35	PU Cabinet	CST-099-25-50-018	1	Pcs
36	Remote Control Receiver Panel	CST-099-25-50-019	1	Pcs
37	Liquid Line Insullation 3/8"	CST-099-25-38-005	1	Pcs
38	Suction Line Insullation 5/8"	CST-099-25-38-006	1	Pcs
39	Plate Coil 38	CST-099-38-003	1	Pcs
40	Remote Control Hand Set	CST-099-C-012	1	Pcs
41	Bracket For Remote Control Hand Set	CST-099-C-013	1	Pcs
42	Drain Hose Dia. 1" 500 mm	CST-099-C-004	1	Pcs
43	Ceiling Panel Bracket Left	CST-099-25-50-020	1	Pcs
44	Ceiling Panel Bracket Right	CST-099-25-50-021	1	Pcs
45	Ceiling Panel Left/Right	CST-099-25-50-022	2	Pcs
46	Motor Swing Bracket	CST-099-25-50-023	1	Pcs
47	Swing Motor	CST-099-C-008	1	Pcs
48	Cam Wheel	CST-099-C-009	1	Pcs
49	Cable Drive	CST-099-25-50-024	5	Pcs
50	Cable Drive Locker	CST-099-C-014	3	Pcs
51	Cable Drive Hose	CST-099-25-50-025	5	Pcs
52	Swing Part	CST-099-C-015	1	Pcs
53	Swing Part Support	CST-099-C-016	1	Pcs
54	Filter Slide Bracket Left	CST-099-25-50-026	1	Pcs
55	Return Grill Locker	CST-099-25-50-027	2	Set
56	Filter Slide Stopper	CST-099-25-50-028	1	Pcs
57	Filter Slide Bracket Right	CST-099-25-50-029	1	Pcs
58	Support Retyrn Grill Locker	CST-099-25-50-030	1	Pcs

Approve By:

Date :

Check By:

Date :

Revision No:

Date :

## Part List

**Model : CST-50**
**Issue Date : 11/29/99**

Item	Part Name	Part Number	Qty	Unit
1	Return Grill	CST-099-25-50-001	1	Pcs
2	Return Air Filter	CST-099-25-50-002	1	Pcs
3	Swing Blade	CST-099-25-50-003	4	Pcs
4	Support Swing Blade	CST-099-25-50-004	8	Pcs
5	Holder for Support Swing Blade	CST-099-25-50-005	8	Pcs
6	Ceiling Panel	CST-099-25-50-006	1	Pcs
7	Plastic Ventury	CST-099-3850-001	1	Pcs
8	Remote Control Cooling Only	CST-099-25-50-007	1	Pcs
9	Support Remote Control Box	CST-099-25-50-008	1	Pcs
10	Support Ceiling Panel	CST-099-25-50-009	1	Pcs
11	Cover Fresh Air Duct	CST-099-25-50-010	1	Pcs
12	Condensate Drain Pan	CST-099-25-50-011	1	Pcs
13	Emergency Drain Water Plug	CST-099-25-50-012	1	Pcs
14	Terminal Block 4P 4mm	CST-099-C-002	1	Pcs
15	Terminal Block Support	CST-099-25-50-013	1	Pcs
16	Coil Bracket-1	CST-099-3850-002	2	Pcs
17	Evaporator Coil 1900 3R 3/8"	CST-099-50-001	1	Pcs
18	Liquid Line 1/2"	CST-099-50-002	1	Pcs
19	Header 3/4"	CST-099-50-003	1	Pcs
20	Fare Nut for Suction Line 1/2"	CST-099-50-004	1	Pcs
21	Fare Nut for Liquid Line 3/4"	CST-099-50-005	1	Pcs
22	-----		1	Pcs
23	Blower 450 mm Dia.	CST-099-3850-002	1	Pcs
24	-----		1	Pcs
25	Floating Switch	CST-099-C-007	1	Pcs
26	Floating Switch Bracket	CST-099-C-006	1	Pcs
27	Pump Bracket	CST-099-C-003	1	Pcs
28	Water Pump WP20 SL	CST-099-C-005	1	Pcs
29	Motor Run Capacitor 5UF 400V	CST-099-3850-003	1	Pcs
30	Pump Plate	CST-099-25-50-015	1	Pcs
31	Plastic Bushing	CST-099-25-50-016	1	Pcs
32	Motor 1/8 HP	CST-099-50-005	1	Pcs
33	Fresh air duct plate	CST-099-25-50-017	1	Pcs
34	Hanging Bracket	CST-099-C-001	4	Pcs
35	PU Cabinet	CST-099-25-50-018	1	Pcs
36	Remote Control Receiver Panel	CST-099-25-50-019	1	Pcs
37	Liquid Line Insullation 1/2"	CST-099-50-007	1	Pcs
38	Suction Line Insullation 3/4"	CST-099-50-008	1	Pcs
39	Plate Coil 50	CST-099-50-009	1	Pcs
40	Remote Control Hand Set	CST-099-C-012	1	Pcs
41	Bracket For Remote Control Hand Set	CST-099-C-013	1	Pcs
42	Drain Hose Dia. 1" 500 mm	CST-099-C-004	1	Pcs
43	Ceiling Panel Bracket Left	CST-099-25-50-020	1	Pcs
44	Ceiling Panel Bracket Right	CST-099-25-50-021	1	Pcs
45	Ceiling Panel Left/Right	CST-099-25-50-022	2	Pcs
46	Motor Swing Bracket	CST-099-25-50-023	1	Pcs
47	Swing Motor	CST-099-C-008	1	Pcs
48	Cam Wheel	CST-099-C-009	1	Pcs
49	Cable Drive	CST-099-25-50-024	5	Pcs
50	Cable Drive Locker	CST-099-C-014	3	Pcs
51	Cable Drive Hose	CST-099-25-50-025	5	Pcs
52	Swing Part	CST-099-C-015	1	Pcs
53	Swing Part Support	CST-099-C-016	1	Pcs
54	Filter Slide Bracket Left	CST-099-25-50-026	1	Pcs
55	Return Grill Locker	CST-099-25-50-027	2	Set
56	Filter Slide Stopper	CST-099-25-50-028	1	Pcs
57	Filter Slide Bracket Right	CST-099-25-50-029	1	Pcs
58	Support Retyrn Grill Locker	CST-099-25-50-030	1	Pcs

Approve By:

Date :

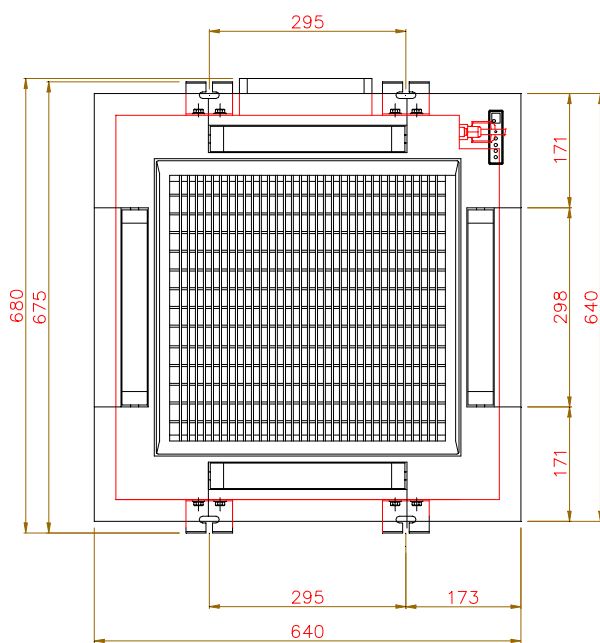
Check By:

Date :

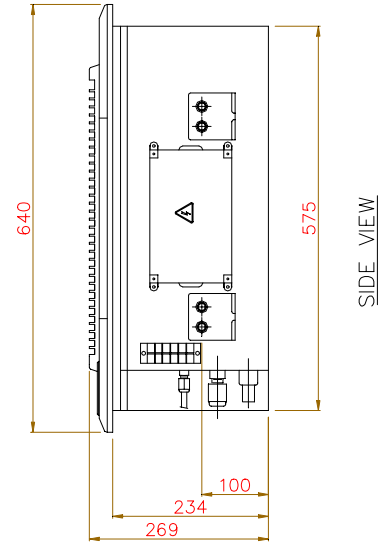
Revision No:

Date :

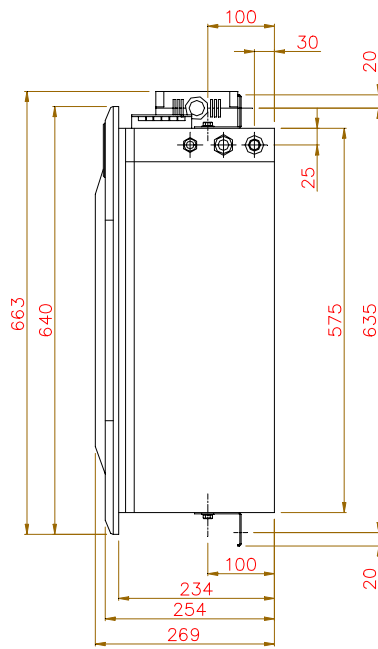
Overall Dimension  
12



TOP VIEW

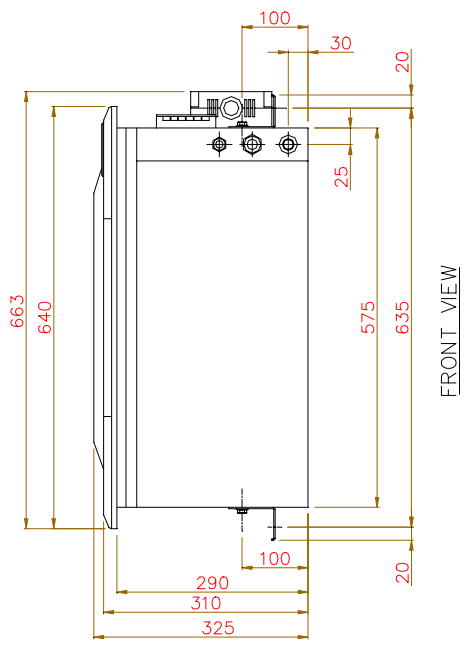
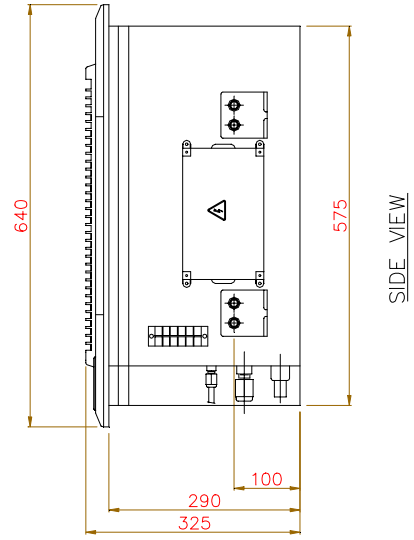
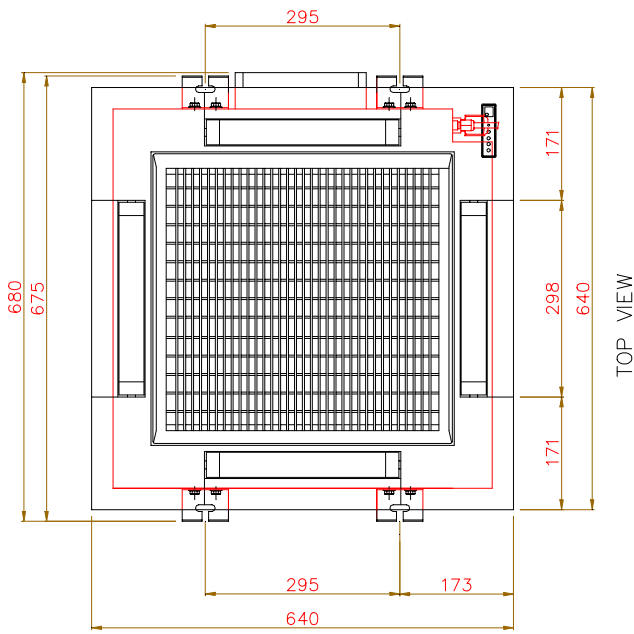


SIDE VIEW



FRONT VIEW

Overall Dimension  
20



Overall Dimension  
25-50

